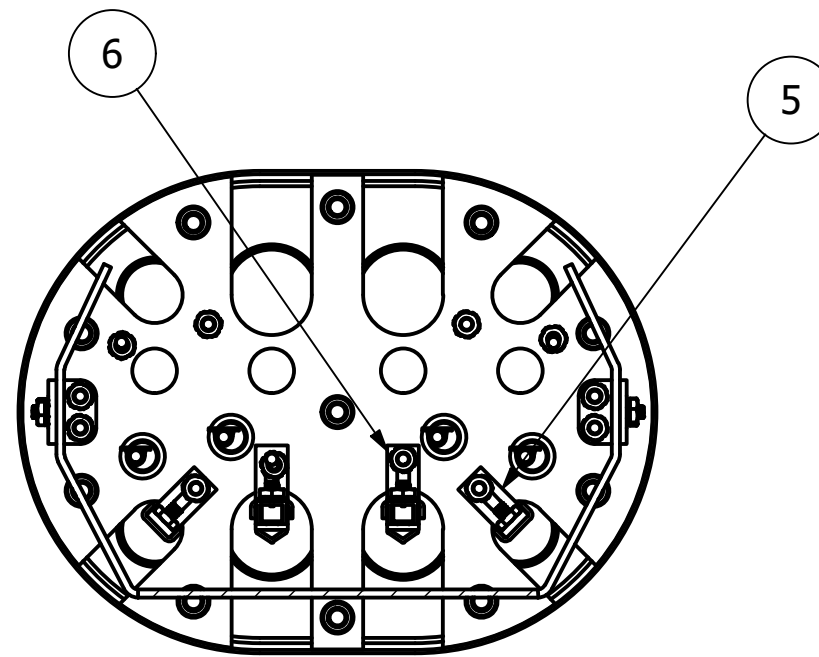
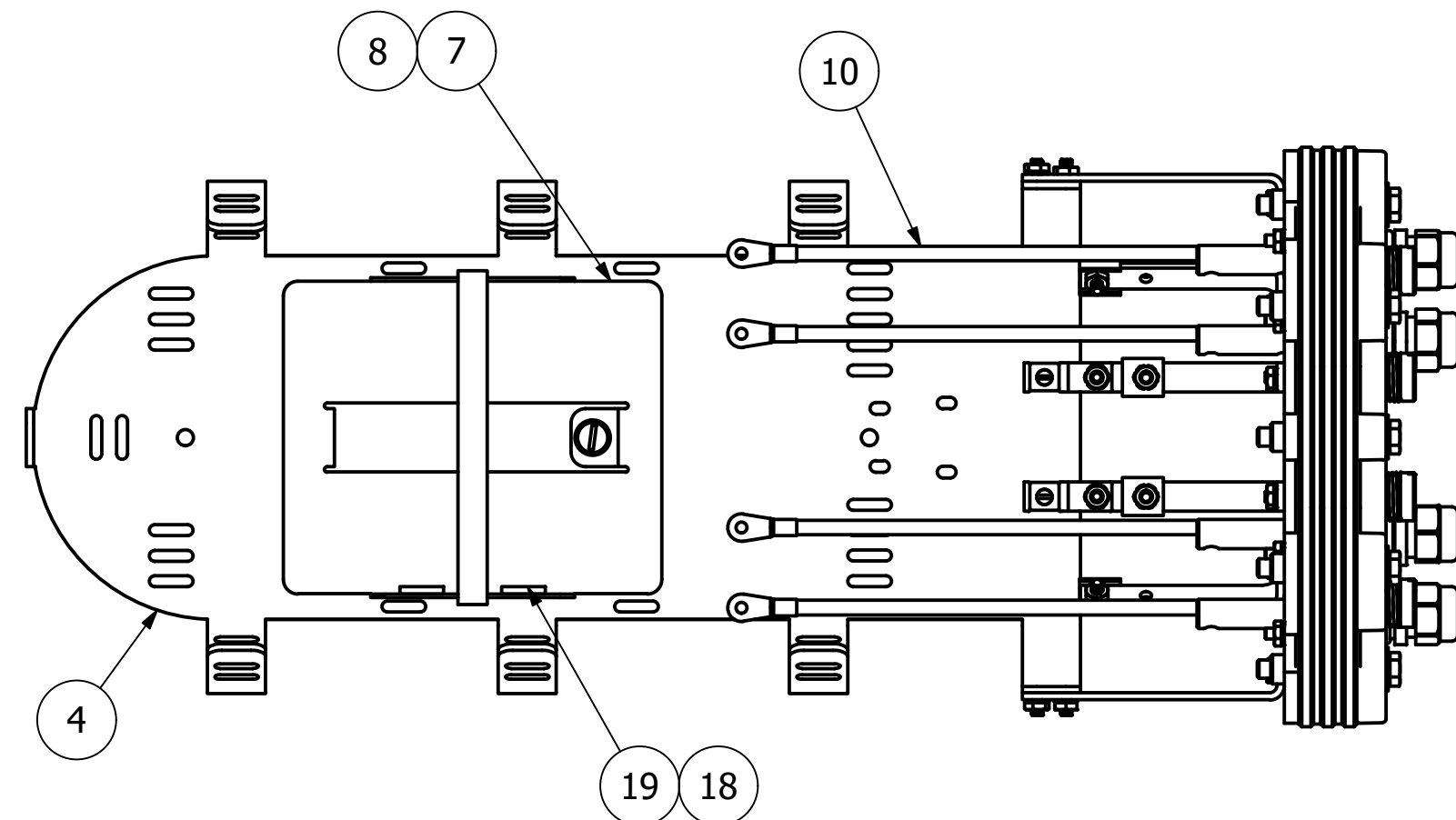
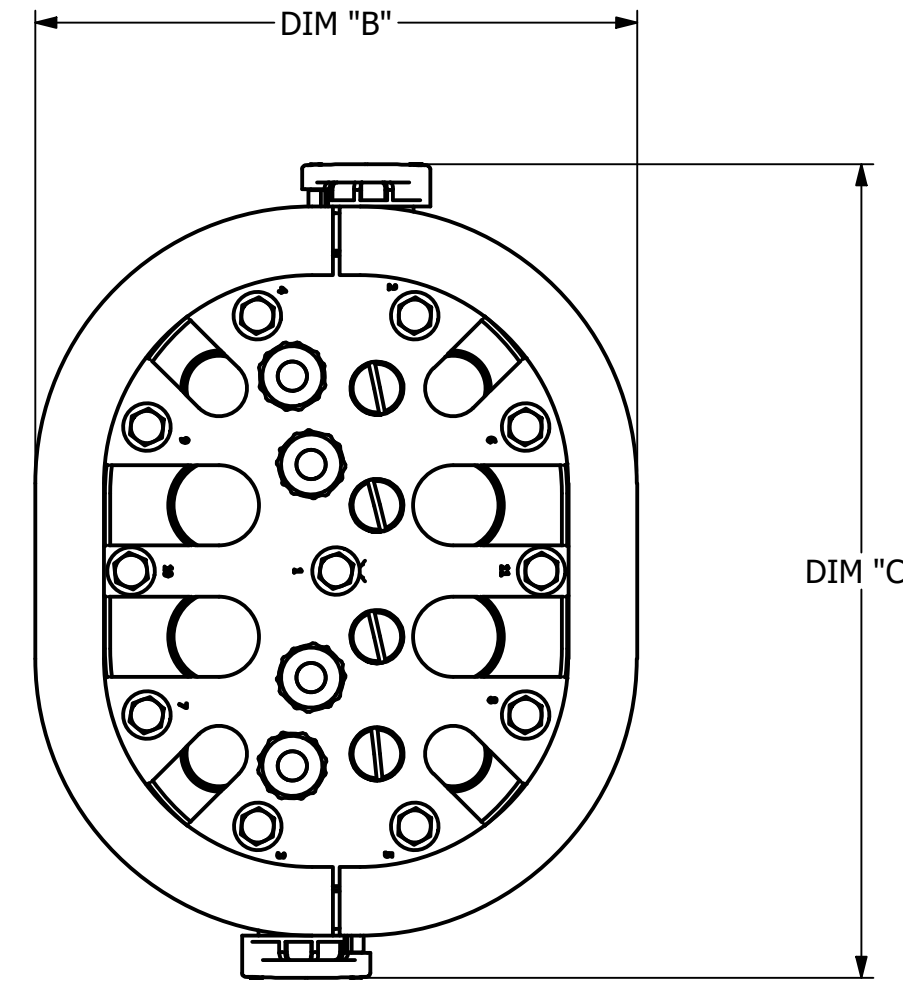
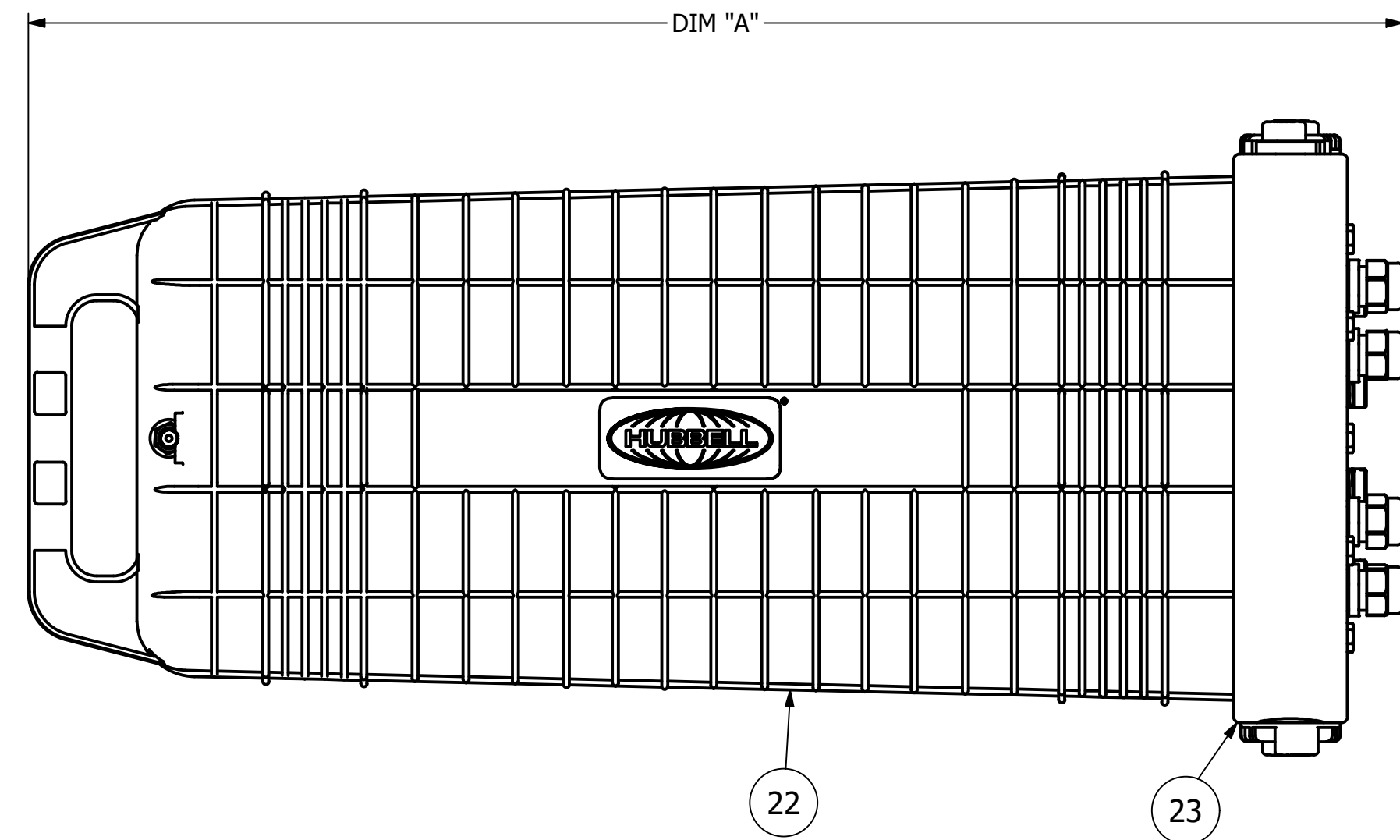


CATALOG NO.	DESCRIPTION	DIM "A" IN. [MM]	DIM "B" IN. [MM]	DIM "C" IN. [MM]	WEIGHT LBS. [KG]	STANDARD PACK	GOODIE BAG
PSCI790SEB	790 DOME CLOSURE 790 IG STD TRAY EXP BRKT	27.529 [699.24]	9.403 [238.84]	12.716 [322.98]	20.000 [9.07]	1	1
PSCI790WEB	790 DOME CLOSURE 790 IG WIDE W EXP BRKT				30.000 [13.60]		

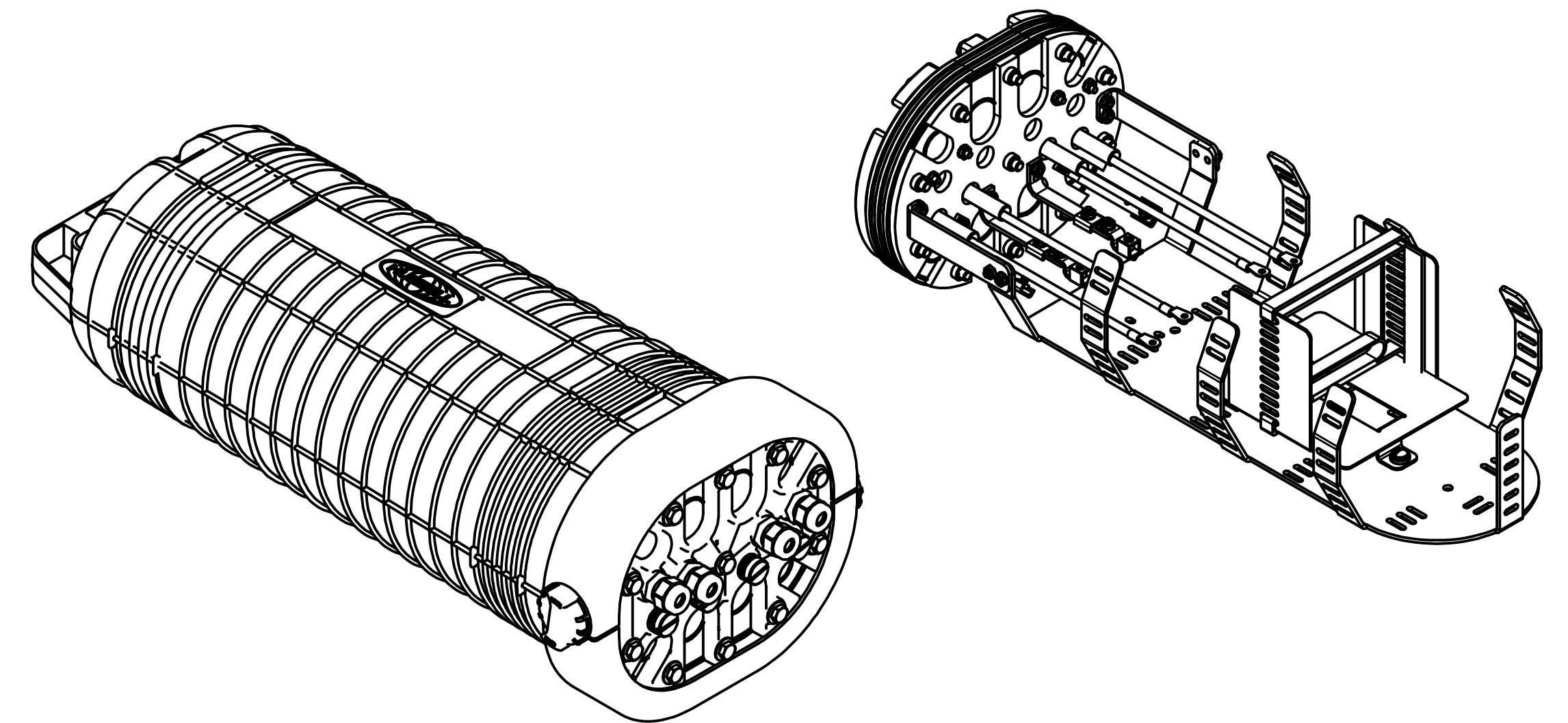
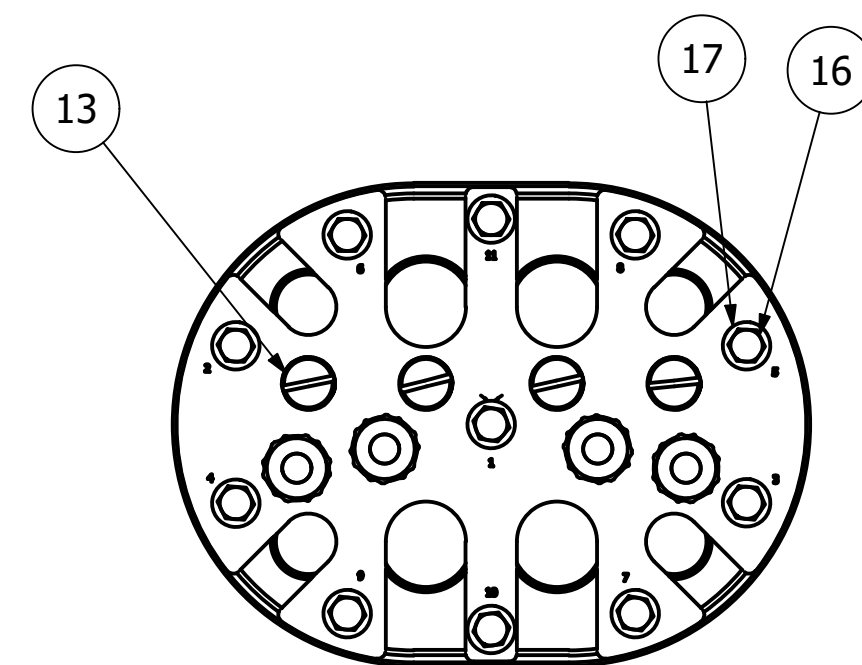
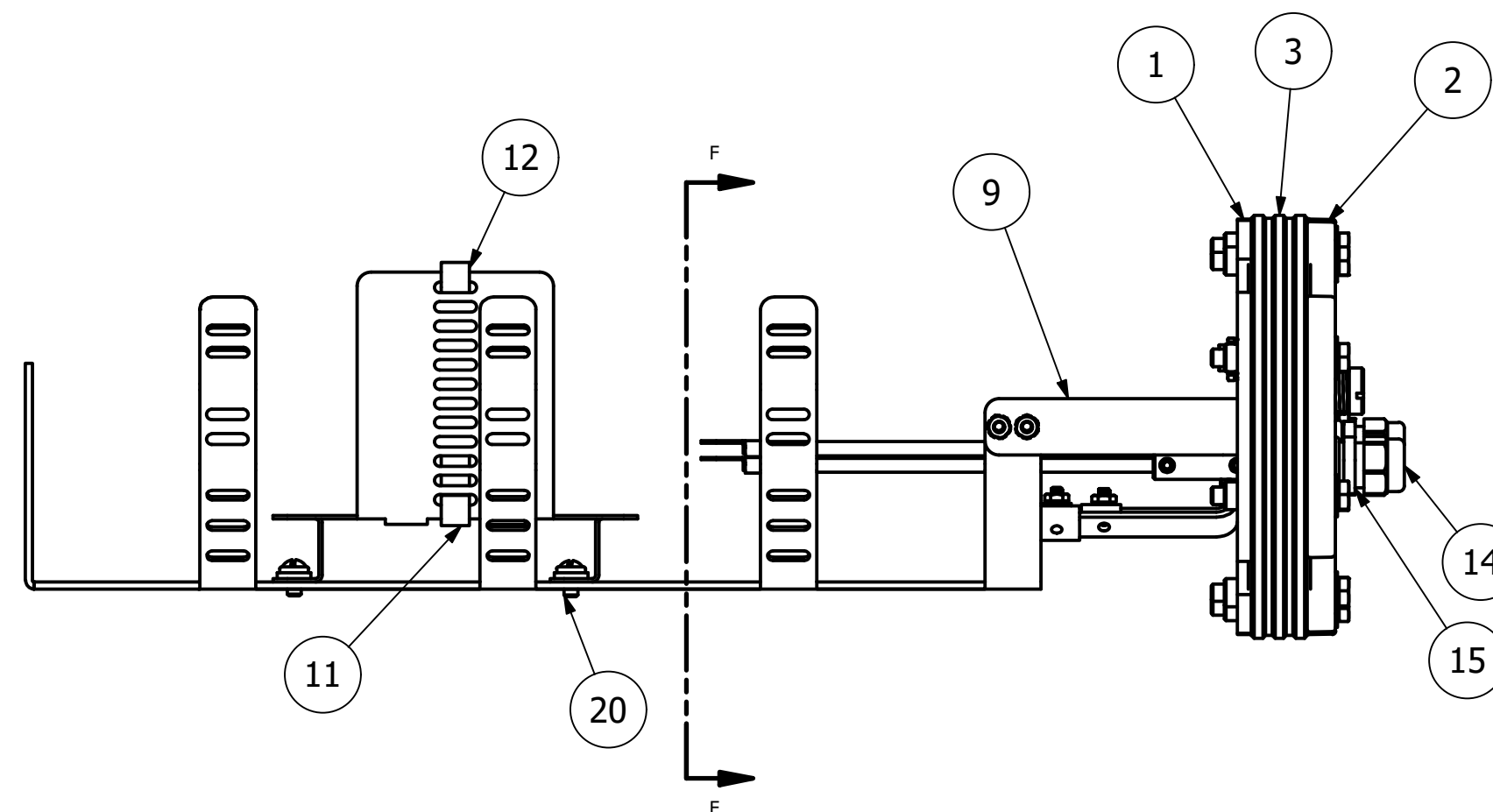
CABLE TYPE	CABLE PORT CAPACITY (DIA.)			
	BACKBONE		LATERAL	
	MIN.	MAX.	MIN.	MAX.
IG	.375"	1.250"	.375"	.875"

ITEM	DESCRIPTION	PSCI790SEB	PSCI790WEB
1	790 AD/IG INSIDE PLATE	1	1
2	790 OUTSIDE PLATE, INJECTION MOLDED	1	1
3	790 ELASTOMER	1	1
4	790 PLATFORM ASSEMBLY WITH EXPRESS BRACKETS	1	1
5	790 STAND OFF	2	2
6	790 MODIFIED STANDOFF	2	2
7	790, WIDE TRAY HOLDER	-----	1
8	790 STANDARD STACKING TRAY HOLDER	1	-----
9	790 PLATFORM SIDE MOUNT	2	2
10	GROUND ROD ASSEMBLY	4	4
11	24 IN 2 SIDED VELCRO	1	1
12	12 IN 2 SIDED VELCRO	1	1
13	PLUG, 1/2-NPT THREADED	4	4
14	STRAIN RELIEF	4	4
15	O-RING	4	4
16	SCR 5/16-18x2.25 HHCAP SS	11	11
17	5/16 FLAT WASHER, 316 STAINLESS STEEL	11	11
18	4.5 IN NEOPRENE TAPE	-----	2
19	4 IN NEOPRENE TAPE	2	-----
20	SCR 1/4-20x.50 SDRHMS STL ZN	2	2
21	K-LOCK NUT, #10-24, ZINC PLATED	16	16
22	790 HOUSING ASSEMBLY	1	1
23	790 COLLAR ASSEMBLY	2	2
24	790 GOODIE BAG	1	1
25	IG INSTRUCTION SHEET (NOT SHOWN)	1	1

GOODIE BAG		
ITEM	DESCRIPTION	QTY
1	24" SPIRAL WRAP	1
2	RTV SILICONE ADHESIVE & SEALANT, ORIGINAL PACKAGE	1
3	1.25" HOSE CLAMP	4
4	790 MEASURING TAPE	1
5	ROLL OF 7 PCS OF VELCRO QWIKTIE	2
6	1/2 X 1 X 4 NEOPRENE TAPE	4



SECTION F-F
SCALE 1:3



- NOTES:
- ALL DIMENSIONS FOR REFERENCE ONLY. DISTANCE IN. [MM], FORCE LBS. [kN], TORQUE IN. LBS. [N.m], & WEIGHT LBS. [KG]
 - RATINGS:
A. NA
 - CERTIFICATIONS, SPECIFICATIONS, & STANDARDS:
A. NA
 - SUFFIXES & VARIANT CONFIGURATION:
A. NA

210330006603	03/30/21	BM	JJ	SD
EC #	DATE	CHANGED BY	CHECKED BY	APPROVED BY
DESCRIPTION:				WEIGHT, LBS
INITIAL RELEASE				SEE TABLE
ADDITIONAL COMMENTS: --				

THIRD ANGLE PROJECTION

CONFIDENTIAL: THIS DRAWING AND ITS CONTENTS ARE CONFIDENTIAL AND THE EXCLUSIVE PROPERTY OF HUBBELL POWER SYSTEMS. NO PUBLICATION, DISTRIBUTION OR COPIES MAY BE MADE WITHOUT THE WRITTEN CONSENT OF HUBBELL POWER SYSTEMS. HUBBELL POWER SYSTEMS UNPUBLISHED ALL RIGHTS RESERVED UNDER THE COPYRIGHT LAWS

HUBBELL POWER SYSTEMS, Inc.

TITLE: **790 IG CLOSURE W/ EXPRESS BRACKET**

CATALOG NUMBER: SEE TABLE

SIZE	DWG NO.	PART / ASSY NO.	REV
D	CC-27215	SEE TABLE	00

SCALE: 1 : 3 DRN BY: BM DATE: 03/02/21 SHEET 1 OF 1